

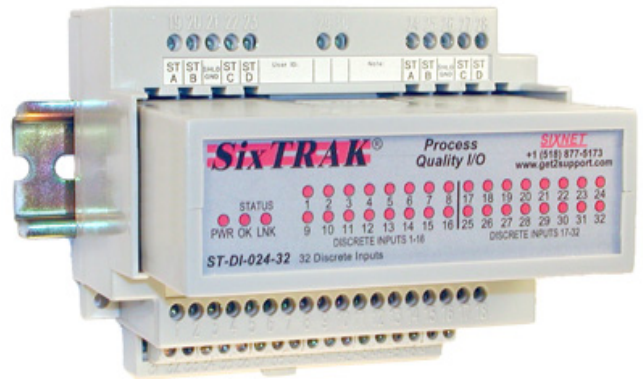
SixTRAK[®] 32-Channel Discrete Input Module

Double density I/O expansion for SIXNET controllers and RTUs


Select this SixTRAK[®] module when . . .

. . . reduced panel space and lowest cost are important requirements.

- 32 discrete inputs in a single compact module
- High density design saves space and reduces cost
- All inputs return to a common ground
- Isolation protects system from wiring faults
- True hot swap of modules in live systems
- DIN rail or direct panel mountable



Connect any mix of up to 20 SixTRAK[®] I/O modules to a SixTRAK[®] I/O Controller, VersaTRAK[®] Remote Terminal Unit, or EtherTRAK[®] I/O Concentrator.

Performance Specifications	
Discrete inputs	32 channels
Voltage range	10-30 VDC (sinking or sourcing)
Guaranteed ON voltage	9 VDC
Maximum voltage	30 VDC
Guaranteed OFF current	1.5 mA DC
Guaranteed OFF voltage	5.0 VDC
Input resistance	10K Ohms
Input current @ 24VDC	3 mA
Fast ON/OFF delay	4 mS
Filtered ON/OFF delay	25 mS
Pulse counters	First four discrete inputs
Maximum count rate	100 Hz (or 20 Hz in filtered mode) 10 KHz on channel 1 only
Environmental	DIN rail or direct panel mounting
Input voltage	10-30 VDC
Max. ST-Bus power	850 mW
Isolation (input to ST-Bus)	1200 VDC
Operating temperature range	-40 to +70°C
Storage temperature range	-40 to +85°C
Humidity (non-condensing)	5 to 95% RH
Vibration IEC68-2-6	
Electrical safety	 UL508, CSA C22.2/14; EN61010-1 FCC part 15, ICES-003, EN55022 EN50082-1, EN61326-1
EMI emissions	
EMC immunity	
Surge withstand	IEEE-472
Hazardous locations (Class 1, Div 2 and Zone 2)	UL1604, CSA C22.2/213; Cenelec EN50021, EEx nA II T4 X
Marine/offshore locations	Det Norske Veritas (DNV) No. 2.4 (Class A & B)

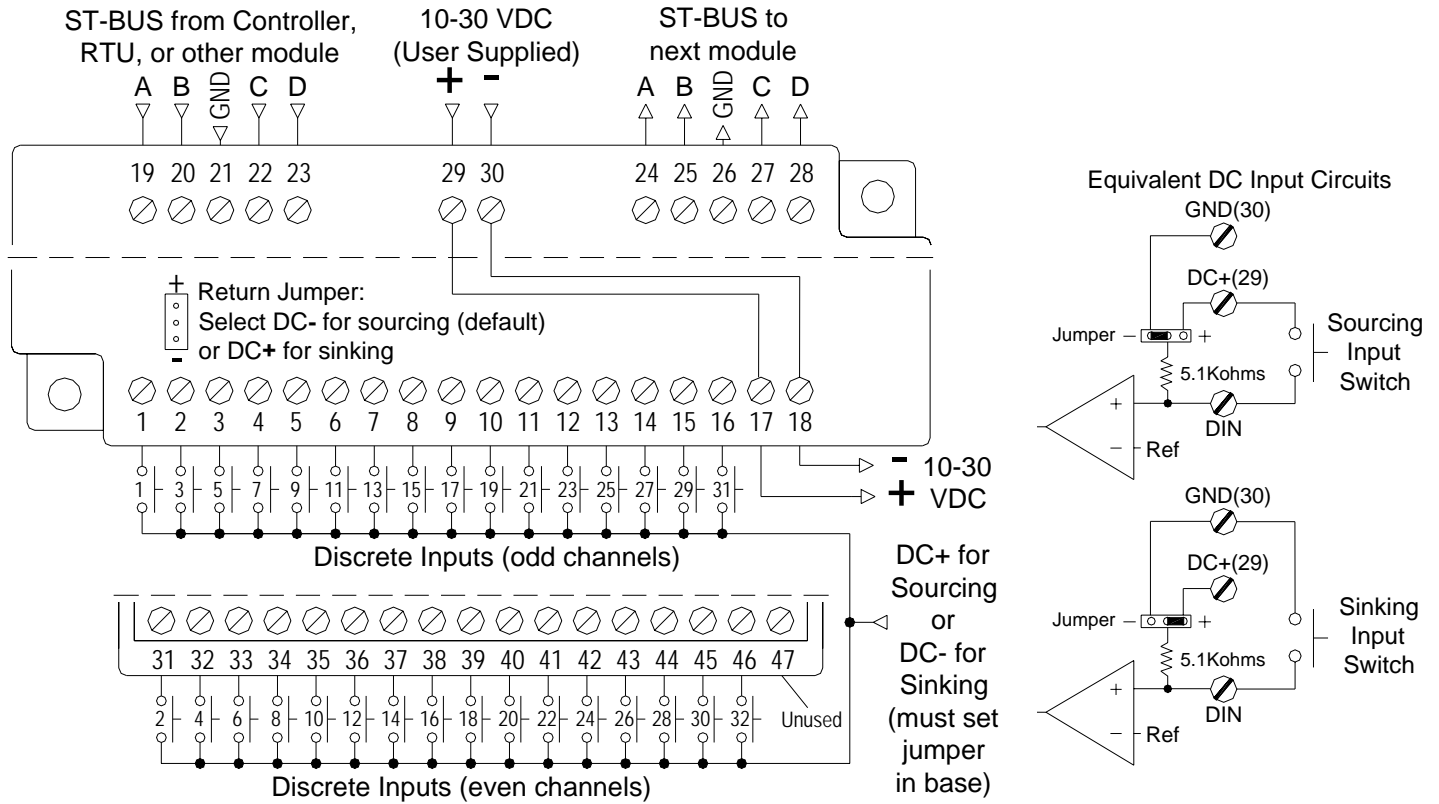


SixTRAK[®] IPm[™] Open DCS Controller

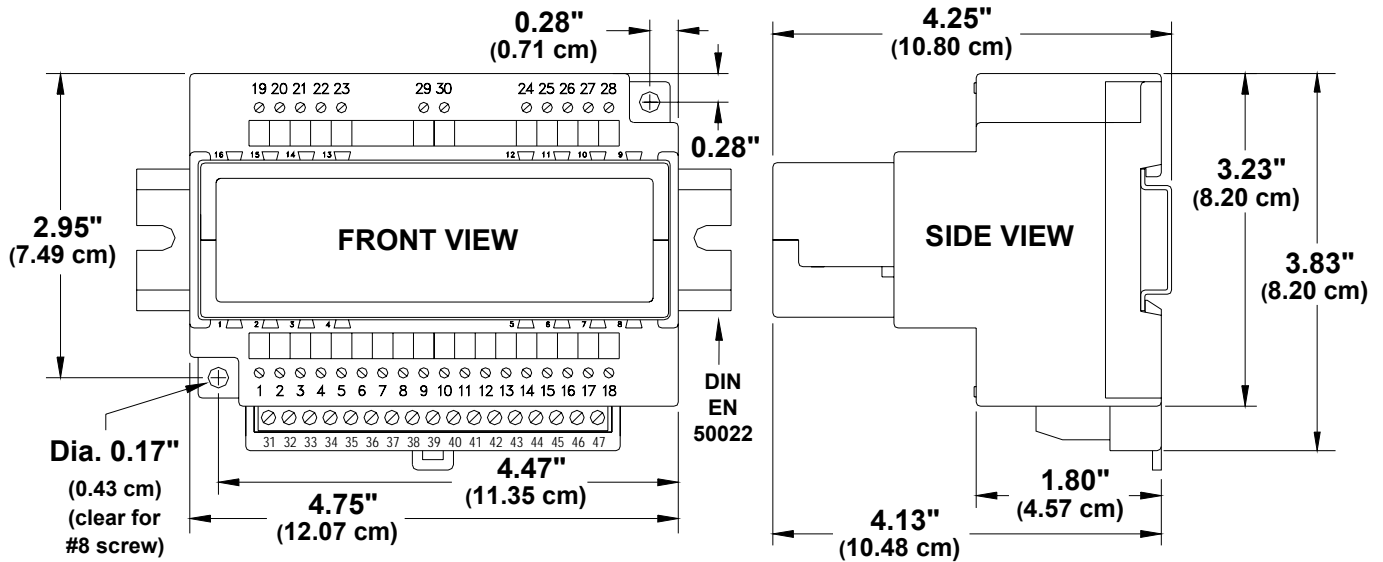
Ordering Information	
ST-DI-024-32D	Module and wiring base pair
ST-DI-024-32M	Replacement module only
ST-DI-024-32DB	Replacement base only

Specifications are subject to change. Consult factory for latest information.

ST-DI-024-32D Power and I/O Wiring



ST-DI-024-32D Mechanical Dimensions



Rev. 5-Aug-04